

110mm (4.33")



n IP68 (Nema 6)

-

316L

n

40

2500

n

n

n

n

n

DP525

O

n

200°C

n

(

)

n

(

,

(

)

n

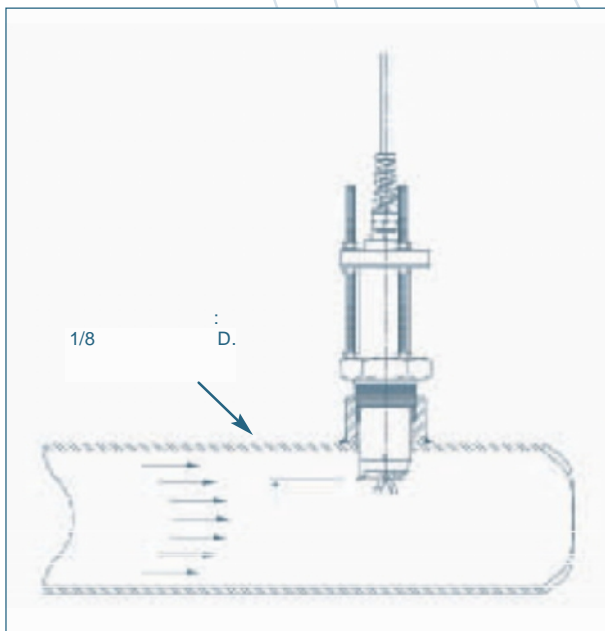
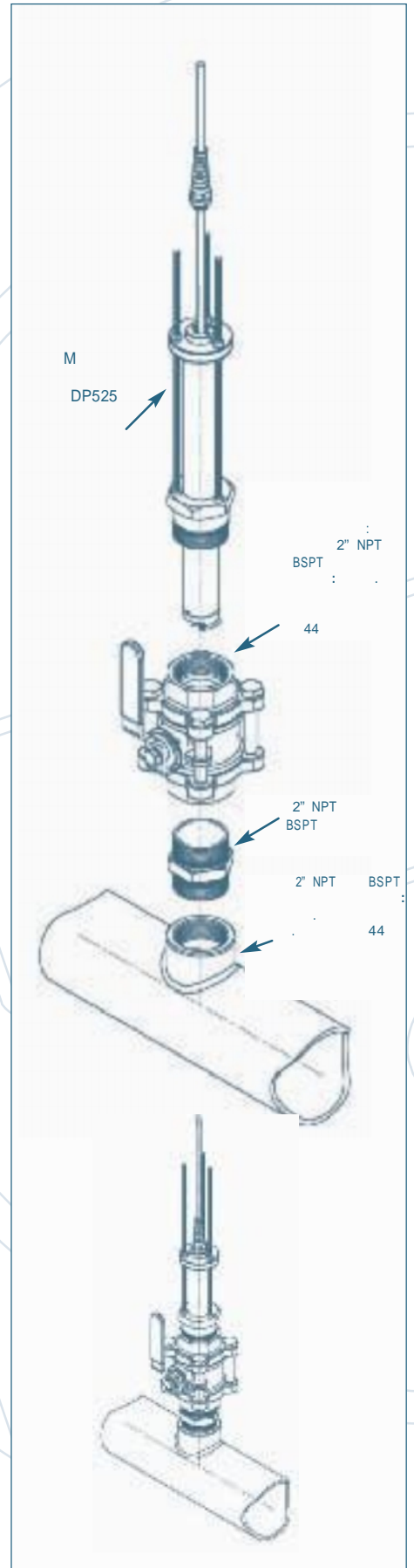
(

)

n

n

± 1,5 %
0,3-10 /



13mm

| | DP490 | DP525 |
|-------------|--|-------------------------|
| | 40 ~ 900 mm (1½ ~ 36") | 50 ~ 2500 mm (2 ~ 100") |
| | 1½" BSPT (G1.5) 1½" NPT | 2" BSPT (G2) 2" NPT |
| | 316L (1.4404) | - |
| | PEEK () | |
| | 0.3 ~ 10 e / . | |
| | 0.38 ~ 6300 / . | |
| | ±1.5%, ±1% | |
| | 80 bar (1200 PSI) | |
| | -40°C ~ 100°C, 204 °C | |
| () | 3- NPN 1.5V x 10µs (2) 220~240 max. | 5-24VDC 220~240 max. |
| 1000 m max. | (2) 66~80 a [-] | (2) 400~480 a . |
| (o) | + () 90° o 200°C. | |
| | 3/8" NPT PG9 (M16 x 1.5) | |
| | 3- 5- , - . | |
| | BSP / NPT service saddle or thread-o-let | |
| | 1.3 | 1.5 |



mm (4.3")

AUSTRALIA

Trimec Industries Pty Ltd

2/1 Koonya Circuit Taren Point

NSW 2229 AUSTRALIA

Tel: +61 2 9540 4433

Fax: +61 2 9525 9411

Email: sales@trimecind.com.au

www.trimecind.com.au

| | | |
|-------|------------------------------|----------------------------|
| DP490 | 40-900 | (1.5-36") - 1 1/2" BSP/NPT |
| DP525 | 0-2500 | (2-100") () - 2" BSP/NPT |
| S | 316 | |
| 2 | PEEK () | |
| 9 | | |
| 1 | | |
| 9 | | |
| 2 | 125°C | |
| 3 | 150°C - n | |
| 5 | 100°C - | |
| 6 | -60 +200°C - . | 6 |
| - 1 | BSPT | |
| - 2 | NPT | |
| - V | Victaulic Joint 50mm grooved | |
| 1 | NPN | |
| 2 | | |
| 3 | (.) | |
| 4 | NPN * | |
| 5 | | |
| 6 | . o+200°C | |
| * | (. 85°C) | |
| 1 | 3 | |
| 2 | 10 | |
| 3 | 20 | |
| 4 | 50 | |
| 5 | | |
| 6 | R1, R2 R3 | |
| 9 | | |
| 00 | | |
| QP | (2-) | |
| B2 | BT11 () | |
| R2 | RT12 (RT11+ 4-20mA) | |
| R3 | RT12 | |

« »
11501, ,
..
,
.8,
Tel:+380 (67) 9395518
Fax:+380 (67) 4416423
Email: office@prock.com.ua
www.prock.com.ua

DP490 S 2 1 5 - 1 1 1 00